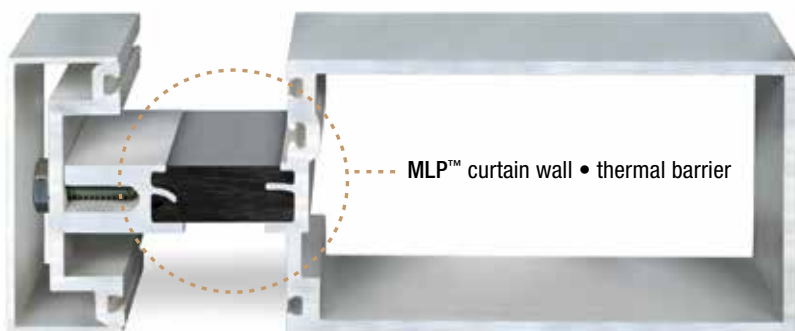


# MLP™ curtain wall • thermal barrier

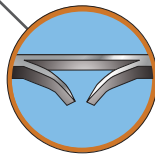
Azon Saves Energy



high performance total design concept from the **AZO/Tec®** team



# MLP™ curtain wall • thermal barrier



**MLP™**  
concealed and  
encapsulated  
mechanical lock

## MLP™ total design system includes

- Wider cavity—lower U-factor achievable in most fenestration products
- 10-year pass-through warranty
- Highest shear *of all thermal barriers*
- The Azon Lancer™ for producing a mechanical lock
- High temperature resistant polyurethane polymer
- AZO/Tec® total design assistance
- No fee licensee contract with simple qualifications
- Fully encapsulated mechanical lock in the curtain wall frame allows for wider spans in the facade

## Structural properties of MLP™ curtain wall

Shear
145 N/mm (3,265 lbf)
ASTM E2692-10
Extrusion test specimen: = 100mm (4-inch) Newton/millimeter (pounds force)

Structural testing standards:  
ASTM International and referenced in AAMA TIR-A8-16  
(American Architectural Manufacturers Association)

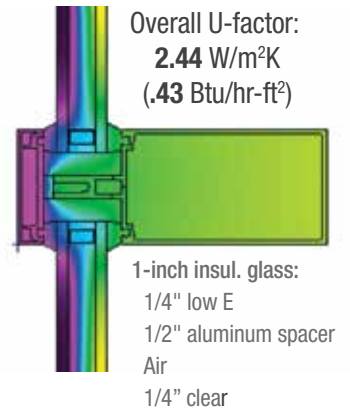
MLP™ (mechanical lock profile) is a trade name of Azon

The MLP™ employs a fully encapsulated wider cavity design, with lanced indentations to “lock in” the polymer thermal barrier making the aluminum profile stronger allowing for wider spans in the facade.

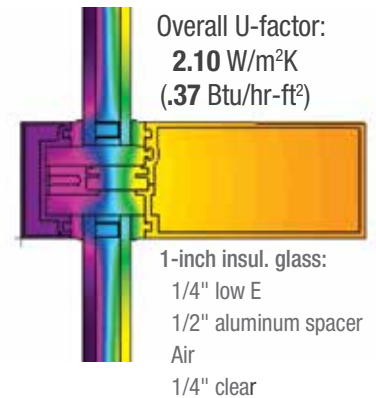
The mechanical lock composite of aluminum and polymer has a high shear and strength-to-weight ratio, with the greatest resistance to blast impact, seismic forces, wind load—all critical in commercial applications.

## U-Factor variations of curtain wall

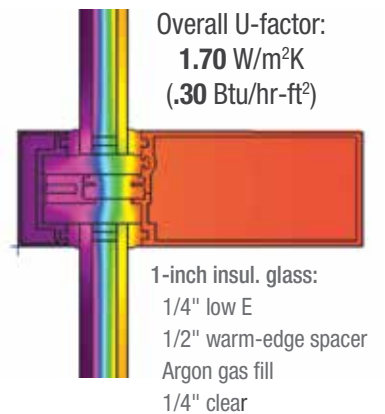
①  
thermal  
isolator



②  
Azon MLP™  
curtain wall



③  
Azon MLP™  
curtain wall  
+ performance  
glazing



Based on air temperatures:  
**-18°C (0°F) outside and 21°C (70°F) inside**

Thermal calculations and graphics:  
Therm and Window, trade names of Lawrence Berkeley National Laboratory

**Azon**  
643 W. Crosstown Parkway  
Kalamazoo, MI 49008-1910  
USA  
Tel: 269 385 5942  
Fax: 269 373 9295

**Azon UK Ltd.**  
Block C-Unit C14-15  
Duffryn Park, 1 Alder Avenue  
Dyffryn Business Park  
Ystrad Mynach  
HENGOED  
CF82 7TW  
UK  
Tel: +44 (0) 1443 814657

**Azon Korea Inc.**  
E1-Space  
19 Samseong 122 St.  
Gangnam, Seoul 06085  
Korea  
Tel: + 82 (0) 2 3449 2200  
Fax: + 82 (0) 2 3449 2229

**Azon Polyurethane (Shanghai) Co., Ltd.**  
Room 504, Building 29  
No. 58 Tonchuan Rd.  
Shanghai 200333  
PR China  
Tel: + 86 (0) 21 6212 2213  
Fax: + 86 (0) 21 6211 0004