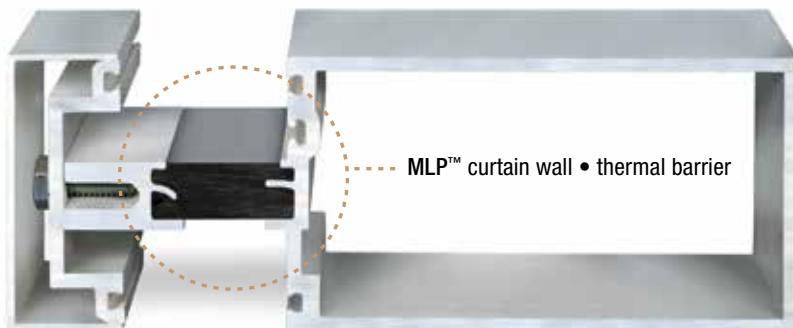


# MLP™ curtain wall • thermal barrier

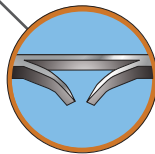
Azon Saves Energy



high performance total design concept from the AZO/Tec® team



# MLP™ curtain wall • thermal barrier



**MLP™**  
concealed and  
encapsulated  
mechanical lock

## MLP™ total design system includes

- Wider cavity—lower U-factor achievable in most fenestration products
- 30-year pass-through warranty
- Highest shear *of all thermal barriers*
- The Azon Lancer™ for producing a mechanical lock
- High temperature resistant polyurethane polymer
- AZO/Tec® total design assistance
- No fee licensee contract with simple qualifications
- Fully encapsulated mechanical lock in the curtain wall frame allows for wider spans in the facade

## Structural properties of MLP™ curtain wall

Shear
145 N/mm (3,265 lbf)
ASTM E2692-10
Extrusion test specimen: = 100mm (4-inch) Newton/millimeter (pounds force)

Structural testing standards:  
ASTM International and referenced in AAMA TIR-A8  
(American Architectural Manufacturers Association)

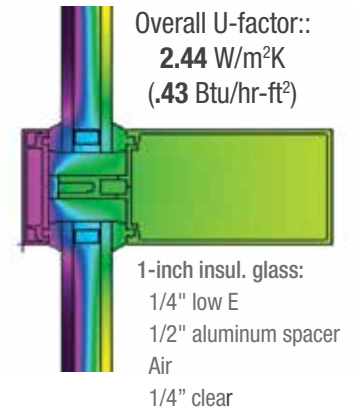
MLP™ (mechanical lock profile) is a trademark of Azon

The MLP™ employs a fully encapsulated wider cavity design, with lanced indentations to “lock in” the polymer thermal barrier making the aluminum profile stronger allowing for wider spans in the facade.

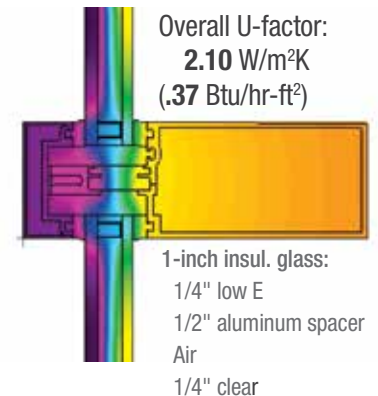
The mechanical lock composite of aluminum and polymer has a high shear and strength-to-weight ratio, with the greatest resistance to blast impact, seismic forces, wind load—all critical in commercial applications.

## U-factor variations of curtain wall

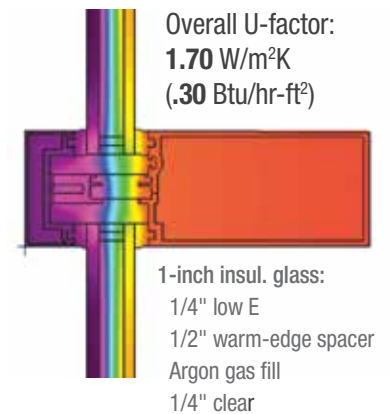
①  
thermal  
isolator



②  
Azon MLP™  
curtain wall



③  
Azon MLP™  
curtain wall  
+ performance  
glazing



Based on air temperatures:  
**-18°C (0°F) outside and 21°C (70°F) inside**

**A wider thermal barrier utilizing the lowest conductance material** is ultra energy-efficient to achieve a lower U-factor in most fenestration products, including curtain wall

Thermal calculations and graphics:  
Therm and Window, trade names of Lawrence Berkeley National Laboratory

**Azon**  
643 W. Crosstown Parkway  
Kalamazoo, MI 49008-1910  
USA  
Tel: 269 385 5942  
Fax: 269 373 9295

**Azon UK Ltd.**  
Unit J, St. David's Industrial Estate  
Pengam, Blackwood  
NP12 3SW  
UK  
Tel: + 44 (0) 1443 878010

**Azon Korea Inc.**  
E1-Space  
19 Samseong 122 St.  
Gangnam, Seoul 135-090  
Korea  
Tel: + 82 (0) 2 544 5906  
Fax: + 82 (0) 2 544 5908

**Azon Polyurethane (Shanghai) Co., Ltd.**  
Room 2804-2807, 28th Floor  
Hua Yuan World Square  
1958 North Zhongshan Road  
Shanghai 200063  
PR China  
Tel: + 86 (0) 21 6212 2213  
Fax: + 86 (0) 21 6211 0004